



Mini Encapsulated - with touch safe terminal blocks LINEAR REGULATED AC-DC single output

- UL60950, UL508, CE Certified
- One Year Warranty



Don't forget these facts about Acopian....

- Fast Shipping? Acopian invented it! For over half a century, Acopian has built and shipped thousands of power supplies within 3-DAYS after receipt of order. And we still do today! View our 3-DAY Shipping Promise: www.acopian.com/3dayship.html
- You ALWAYS talk to a real person when you call Acopian.
- Acopian power supplies last a *very long time!*
- You can email 3day@acopian.com anytime for 24/7 product support.
- The *Online System Builder* (www.acopian.com/SystemBuilder) is a convenient way to get your own custom power supply or power system (and they ship within 9 Days).
- You can order Acopian power supplies factory direct.
- ALL Acopian products are made in the USA.



Easton, PA & Melbourne, FL
1-800-523-9478 • www.acopian.com
Order Factory Direct
Made in USA



single output

Mini Encapsulated - with touch safe terminal blocks

LINEAR REGULATED

AC-DC

- UL60950, UL508, CE Certified
- One Year Warranty



Although small in size, these mini-modules offer high performance at modest prices. All models, with series regulated outputs ranging from 3.3 to 48 volts and as high as 2.5 amps, may be mounted in an area only 3.5" x 2.5". Terminal block input/output connections eliminate all need for sockets or soldering and are touch safe. Short circuit protection, encapsulated construction, and conservative design assure long term reliability.

STANDARD FEATURES

- May be used in series
- No derating or heat sinking required
- Short circuit protected
- Small, lightweight

SPECIFICATIONS

Input Voltage: 105-125 VAC, 47 to 63 Hz, single phase.

Output Voltage Setting: Outputs are factory preset to within $\pm 2\%$ (3.3 to 12 volt models) or $\pm 1\%$ (15 to 48 volt models) of the nominal output voltage.

T/C terminal: The T/C terminal can be used to trim the output more precisely to the nominal voltage rating by connecting an external resistor from the T/C terminal to either the + or - terminal.

Polarity: Either positive or negative terminal of a single output module may be grounded.

Transient Response (NL-FL): 50 microseconds.

Ambient Operating Temperature: -20 to $+71^\circ\text{C}$. No derating required.

Storage Temperature: -55 to $+85^\circ\text{C}$.

Humidity: 10% to 95% $\leq 40^\circ\text{C}$ R.H. (non-condensing).

Temperature Coefficient: 0.01%/ $^\circ\text{C}$ (Typical).

Overload/Short Circuit Protection: Momentary overload or short circuit will not damage the power supply.

Mounting: Threaded mounting holes permit mounting to a chassis, cabinet wall or bracket, or they may be used on a test bench or tabletop. When wall-mounting or DIN rail mounting is desired, use accessory Mounting Kits on page H4.

REGULATORY COMPLIANCE

Safety: UL60950-1, 2nd Edition; UL508 17th Edition. Refer to UL File for acceptability requirements.

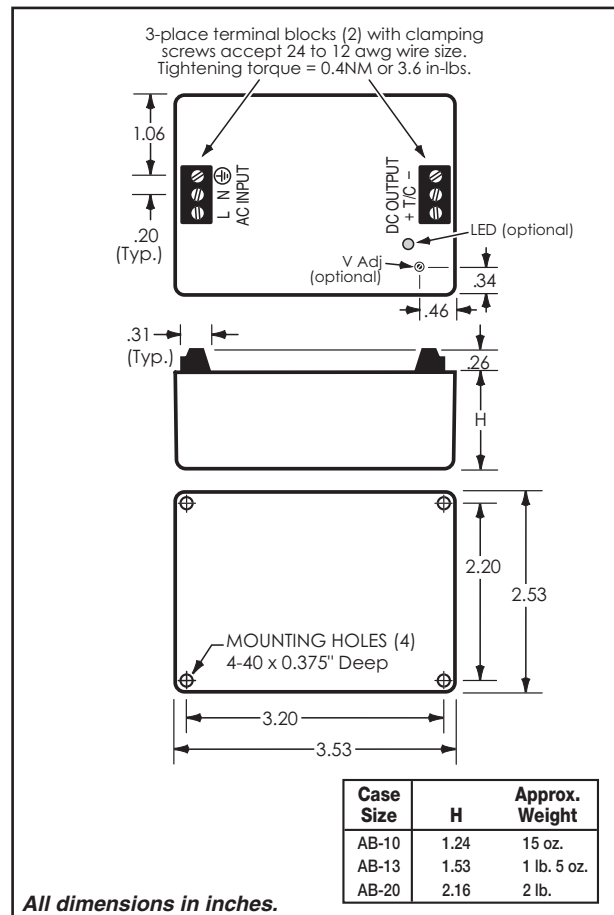
UL508 File: E306586

UL60950 File: E208800

EMC: Based on testing of 115 VAC representative model. See page F8 for details.

OPTIONS

Voltage Adjust Potentiometer: Allows for adjustment range $\pm 2\%$ of nominal output. To order, add suffix "C1" to



the model number, and increase standard price by \$30.00.

Output Indicator (DC on): Green LED. To order, add suffix "G3" to the model number, and increase standard price by \$20.00.

AC Input Options: All models can be alternately furnished for operation on various AC input ratings. To order, add suffix: " -230 " for 230 VAC, 47-63 Hz
" -208 " for 208 VAC, 47-63 Hz
" -100 " for 100 VAC, 47-63 Hz
" -24 " for 24 VAC, 47-63 Hz

..and \$10.00 to price. This option requires two additional days.

SINGLE OUTPUT, WITH TOUCH SAFE TERMINAL BLOCKS

(For Mini Encapsulated power supplies with higher wattage outputs than those shown below, see pages C1-C2.)

Nominal Output Voltage	Output Current Amps.	Regulation		Ripple mV RMS	(\$) Price	Model	Case Size
		Load ±mV	Line ±mV				
3.3	.500	5	5	1	150	3.3AB50	AB-10
3.3	1.000	5	5	1	170	3.3AB100	AB-13
3.3	2.000	5	5	1	205	3.3AB200	AB-20
5	.700	5	5	1	150	5AB70	AB-10
5	1.500	5	5	1	170	5AB150	AB-13
5	2.500	5	5	1	205	5AB250	AB-20
6	.550	5	5	1	150	6AB55	AB-10
6	1.000	5	5	1	170	6AB100	AB-13
6	1.750	5	5	1	205	6AB175	AB-20
7	.450	5	5	1	150	7AB45	AB-10
7	.900	5	5	1	170	7AB90	AB-13
7	1.150	5	5	1	205	7AB115	AB-20
8	.450	5	5	1	150	8AB45	AB-10
8	.700	5	5	1	170	8AB70	AB-13
8	1.100	5	5	1	205	8AB110	AB-20
9	.450	5	5	1	150	9AB45	AB-10
9	.850	5	5	1	170	9AB85	AB-13
9	1.500	5	5	1	205	9AB150	AB-20
10	.400	5	5	1	150	10AB40	AB-10
10	.750	5	5	1	170	10AB75	AB-13
10	1.200	5	5	1	205	10AB120	AB-20
11	.350	5	5	1	150	11AB35	AB-10
11	.600	5	5	1	170	11AB60	AB-13
11	1.000	5	5	1	205	11AB100	AB-20
12	.400	5	5	1	150	12AB40	AB-10
12	.700	5	5	1	170	12AB70	AB-13
12	1.200	5	5	1	205	12AB120	AB-20
13	.350	8	5	1	150	13AB35	AB-10
13	.600	8	5	1	170	13AB60	AB-13
13	1.000	8	5	1	205	13AB100	AB-20
14	.300	8	5	1	150	14AB30	AB-10
14	.500	8	5	1	170	14AB50	AB-13
14	1.000	8	5	1	205	14AB100	AB-20
15	.400	8	5	1	150	15AB40	AB-10
15	.600	8	5	1	170	15AB60	AB-13
15	1.000	8	5	1	205	15AB100	AB-20
16	.350	8	5	1	150	16AB35	AB-10
16	.500	8	5	1	170	16AB50	AB-13
16	.900	8	5	1	205	16AB90	AB-20
17	.330	8	5	1	150	17AB33	AB-10
17	.450	8	5	1	170	17AB45	AB-13
17	.750	8	5	1	205	17AB75	AB-20
18	.270	8	5	1	150	18AB27	AB-10
18	.400	8	5	1	170	18AB40	AB-13
18	.550	8	5	1	205	18AB55	AB-20
19	.250	8	5	1	150	19AB25	AB-10
19	.400	8	5	1	170	19AB40	AB-13
19	.700	8	5	1	205	19AB70	AB-20
20	.200	8	5	1	150	20AB20	AB-10
20	.400	8	5	1	170	20AB40	AB-13
20	.700	8	5	1	205	20AB70	AB-20
21	.180	8	5	1	150	21AB18	AB-10
21	.380	8	5	1	170	21AB38	AB-13
21	.600	8	5	1	205	21AB60	AB-20
22	.150	8	5	1	150	22AB15	AB-10
22	.300	8	5	1	170	22AB30	AB-13
22	.500	8	5	1	205	22AB50	AB-20
23	.200	8	5	1	150	23AB20	AB-10
23	.300	8	5	1	170	23AB30	AB-13
23	.600	8	5	1	205	23AB60	AB-20
24	.200	8	5	1	150	24AB20	AB-10
24	.350	8	5	1	170	24AB35	AB-13
24	.600	8	5	1	205	24AB60	AB-20
25	.190	8	5	1	150	25AB19	AB-10
25	.330	8	5	1	170	25AB33	AB-13
25	.550	8	5	1	205	25AB55	AB-20
26	.170	8	5	1	150	26AB17	AB-10
26	.300	8	5	1	170	26AB30	AB-13
26	.450	8	5	1	205	26AB45	AB-20
27	.160	8	5	1	150	27AB16	AB-10
27	.300	8	5	1	170	27AB30	AB-13
27	.500	8	5	1	205	27AB50	AB-20
28	.150	8	5	1	150	28AB15	AB-10
28	.300	8	5	1	170	28AB30	AB-13
28	.500	8	5	1	205	28AB50	AB-20

Nominal Output Voltage	Output Current Amps.	Regulation		Ripple mV RMS	(\$) Price	Model	Case Size
		Load ±mV	Line ±mV				
30	.130	10	5	1	150	30AB13	AB-10
30	.230	10	5	1	170	30AB23	AB-13
30	.500	10	5	1	205	30AB50	AB-20
32	.120	10	5	1	150	32AB12	AB-10
32	.220	10	5	1	170	32AB22	AB-13
32	.460	10	5	1	205	32AB46	AB-20
34	.120	10	5	1	150	34AB12	AB-10
34	.200	10	5	1	170	34AB20	AB-13
34	.440	10	5	1	205	34AB44	AB-20
35	.110	10	5	1	150	35AB11	AB-10
35	.200	10	5	1	170	35AB20	AB-13
35	.420	10	5	1	205	35AB42	AB-20
36	.110	10	5	1	150	36AB11	AB-10
36	.190	10	5	1	170	36AB19	AB-13
36	.410	10	5	1	205	36AB41	AB-20
38	.100	10	5	1	150	38AB10	AB-10
38	.180	10	5	1	170	38AB18	AB-13
38	.390	10	5	1	205	38AB39	AB-20
40	.100	10	5	1	150	40AB10	AB-10
40	.170	10	5	1	170	40AB17	AB-13
40	.370	10	5	1	205	40AB37	AB-20
42	.100	10	5	1	150	42AB10	AB-10
42	.170	10	5	1	170	42AB17	AB-13
42	.350	10	5	1	205	42AB35	AB-20
44	.090	10	5	1	150	44AB09	AB-10
44	.160	10	5	1	170	44AB16	AB-13
44	.340	10	5	1	205	44AB34	AB-20
45	.090	10	5	1	150	45AB09	AB-10
45	.160	10	5	1	170	45AB16	AB-13
45	.330	10	5	1	205	45AB33	AB-20
48	.080	10	5	1	150	48AB08	AB-10
48	.150	10	5	1	170	48AB15	AB-13
48	.310	10	5	1	205	48AB31	AB-20

ELECTROMAGNETIC COMPATIBILITY (EMC)

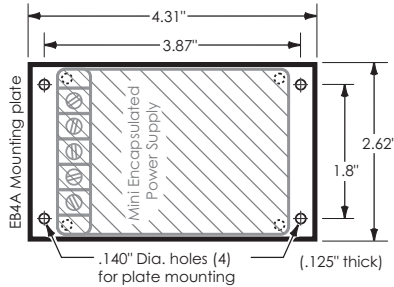
Standard:	Description:
CISPR 16-2-1	Conducted Emissions
CISPR 16-2-3	Radiated Emissions
IEC 61000-4-2	Electrostatic Discharge
IEC 61000-4-4	Electrical Fast Transient/Burst, Power Ports
IEC 61000-4-4	Electrical Fast Transient/Burst, I/O Ports
IEC 61000-4-5	Surge Immunity, I/O Ports
IEC 61000-4-8	Magnetic Immunity
IEC 61000-4-11	Voltage Dips, Interrupts and Variations

Mounting Kits for 'Mini Encapsulated - with screw terminals' power supplies:

WALL MOUNTING

Model EB4A \$10

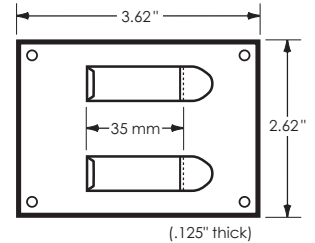
Use Mounting Kit EB4A to mount from the power supply side of the mounting surface, necessary when the other side of the mounting surface is inaccessible. This kit consists of an aluminum plate and four screws for attaching it to the power supply, effectively adding mounting flanges to any Mini Encapsulated power supply with screw terminals or any Mini DC-DC Converter with screw terminals.



DIN RAIL MOUNTING

Model EB35DIN \$15

Mounting Kit EB35DIN consists of an aluminum plate, with two DIN clips attached to it, and four screws for attaching the plate to the bottom of any Mini Encapsulated power supply with screw terminals or any Mini DC-DC Converter with screw terminals. The power supply can then be snapped onto a 35mm 'top hat' type of DIN rail.

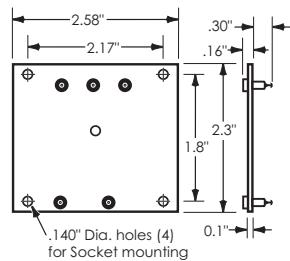


Sockets for 'Mini Encapsulated - PC Board mounting' power supplies:

For use with PC board mounting Mini Linears and PC board mounting DC-DC Converters. Each of these sockets has a sturdy phenolic base with gold plated teflon-insulated contacts.

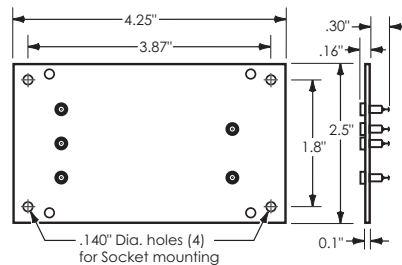
Model ES-1 \$40

For case sizes ES-10 and ESC-10



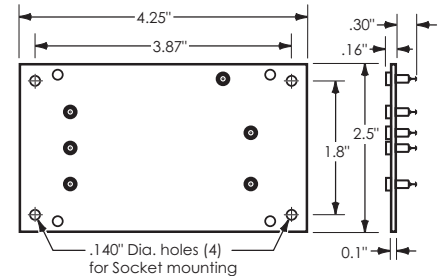
Model EL-1 \$40

For case sizes EL-10, EL-13, EL-20 and ELC-10



Model ELW-1 \$40

For case sizes ELW-13 and ELW-20

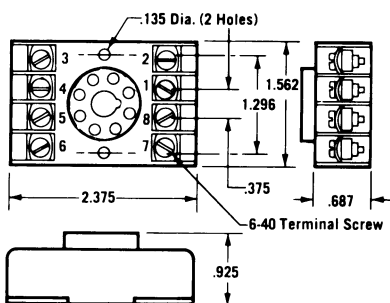


Sockets for 'Plug-In' power supplies:

RETMA-numbered screw-type terminals simplify wiring and permit the use of wire terminals or bare wire, 12 to 20 guage. Rated at 300 volts RMS, 10 amp.

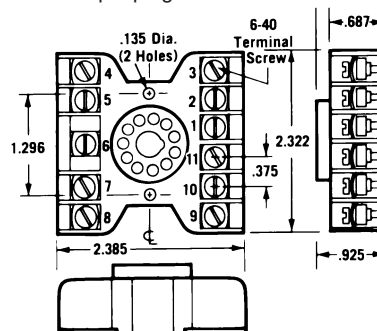
Model SL608 \$20

For 8-pin plugs.



Model SL611 \$20

For 11-pin plugs.



ACOPIAN SELLS FACTORY DIRECT WORLDWIDE: We do not use representatives or distributors. Contact Acopian for technical information or a quote.

WARRANTY: Acopian power supplies are warranted to be free from defects in material and workmanship for a period of five years (encapsulated devices, for one year) from date of original shipment. Acopian's obligation under this warranty is limited to repairing any power supply returned to the factory Service Department in Easton, PA or Melbourne, FL, and replacing any defective parts. Mini Encapsulated power supplies are not repairable. Authorization must be obtained from Acopian before a power supply may be returned for repair. Units must be well packed when shipping to Acopian; the repair of any damage incurred during shipment will be charged. Transportation charges are to be paid by the purchaser. A reinspection and handling charge will be applied to returned units found to have no defects. If a failure has been caused by misuse, operation in excess of specifications, or modification by the customer, repairs will be billed at cost; in such cases, a cost estimate will be submitted before work is started.

Acopian reserves the right to make changes or improvements in its products without incurring any obligation to install the same on products previously manufactured.

This warranty is in lieu of all other warranties, obligations, and liabilities, expressed or implied, and is the purchaser's exclusive remedy. Acopian makes no warranty, either express or implied, of merchantability, fitness for a particular purpose or otherwise. In no event shall Acopian be liable whether in contract, tort, or negligence, for special, indirect, incidental or consequential damages of any kind, including loss of business or profits, or any other losses incurred by the purchaser or any third party, the Customer's remedies being limited, at Acopian's option, to replacement, repair or credit at the price on the date of claim.

The validity, performance and construction of all terms and conditions and any sale made by Acopian shall be determined by the law of Pennsylvania, without regard to its conflict of law principles, and all parties to the transaction expressly consent to the jurisdiction of such courts and consent to the venue of the Court of Common Pleas for Northampton County, Pennsylvania.

PRICES: The prices shown are F.O.B. our factory; Easton, PA or Melbourne, FL. ('EXW Factory' if outside the 50 United States.) All prices and specifications are subject to change without notice.

TERMS: Net 30 days, subject to credit approval. Visa, MasterCard and American Express also accepted.

SHIPPING: Location permitting, small shipments are made by United Parcel Service, FedEx, DHL (international orders) or by Parcel Post; larger shipments, by insured motor freight collect. Shipments can be made by air upon request. Risk of loss shall be F.O.B. Our Factory, even in cases where freight may be prepaid or allowed to destination by Acopian. If equipment is received in damaged condition, it is the customer's responsibility to contact the carrier and file a claim for damages.

TIME FOR DELIVERY: The time for delivery quoted by Acopian is the time required to ship from our plants. We will not be liable for delays in delivery caused by any reason beyond our control, including but not limited to acts of God, casualty, civil disturbance, labor disputes, transportation or supply difficulties, or any interruption of our facilities, and the quoted time for delivery shall be extended during the continuance of such conditions and for a reasonable time thereafter. In no event will Acopian be liable for any premium transportation, reprourement, or similar costs incurred by the Customer as a result of conditions beyond Acopian's control resulting in Acopian's inability to deliver product in accordance with customer's requested delivery schedules.

QUANTITY DISCOUNTS: Discounts are available to quantity buyers and are dependent upon the order quantity and the manufacturing scheduling anticipated by the order, and apply only to the quantity and delivery ordered. Partial shipments are considered as separate orders for discounting purposes.

EXPORT ORDERS: A minimum export documentation charge of \$60.00 applies. (A minimum charge of \$25.00 applies on orders to certain U.S. territories requiring customs forms.)

MOISTURE/FUNGUS PROOFING: Power supplies can be furnished with a moisture and fungus resistant varnish applied to interior surfaces. To order, add the suffix letter F to the model number. This option requires two additional days and is not available on High Voltage, Mini Encapsulated, Rack Mounting, and Gold Box Switching models.

TAGGING: Add \$10.00 to price.

TEST DATA: Cost, \$35.00 or 2% of order, whichever is greater.

SPECIAL MODELS/MODIFICATIONS: Cataloged models can be altered at the factory to meet special requirements. Contact the Applications Engineering Department to discuss your needs.

PARTS: The designs used in Acopian power supplies utilize standard components to the greatest practical extent. When replacements are required, the types originally used, or their equivalents, can usually be obtained most quickly from a local electronic components distributor.

Special components, such as transformers, are stocked at the factory warehouses. Contact the Applications Engineering Department for information on the parts required, referencing the model number of the power supply, the circuit designation of the component, and a description.

PURCHASE ORDER ACCEPTANCE: Orders are accepted subject to Acopian's Terms and Conditions. Any Terms and Conditions of any Purchaser's order, agreement, or understanding which are in addition to or inconsistent with Acopian's shall not be binding upon Acopian unless made in writing and accepted over the signature of an authorized officer of Acopian. Orders shall not be considered accepted until entered into production at our plant. Acopian reserves the right to refuse any order. All typographical and clerical errors are subject to correction by Acopian.

RETURNED GOODS: Acopian products are built on a per-order basis, and ordinarily no credit can be extended for their return. No goods will be accepted for return unless authorized in writing by Acopian.

CHANGES: The customer may, by a written notice, request changes within the general scope of the order, in the drawings, designs or specifications; method of shipment; and place of delivery. If any such change causes an increase or decrease in the cost, or the time required for the processing of any part of the order, an equitable adjustment shall be made in the price or delivery schedule, or both, and the order shall be modified in writing accordingly.

CANCELLATION: Suspension or cancellation of orders may be made only upon our written approval and on terms that will indemnify us against all loss.

OVERTIME: It is anticipated that any order will be processed during regular working hours on regular working days. If for any reason the Purchaser requests Acopian to process the order, or any portion of it, outside of such regular working hours, any overtime or other additional expense occasioned thereby shall be billed to and paid by the Purchaser as an extra cost. Acopian reserves the right to decline to process the order outside regular working hours.

CUSTOMER DELAY OF WORK: If the performance of all or any part of the work is delayed or interrupted by Customer's failure to act within the time specified (or within a reasonable time if no time is specified) and such act is not expressed or implied by the order, an adjustment shall be made in the cost of performance of the order caused by such delay or interruption and the order modified in writing accordingly. Adjustment will also be made in the delivery or performance dates and any other contractual provisions affected by such delay or interruption.

GOVERNMENT SPECIFICATIONS: Pricing is based upon industrial-grade construction, marking, packing, and packaging. Exception is taken to any MIL specifications, and to any requirements for the use of special forms, documentation other than quoted, and Government Source Inspection. Acopian must decline to quote on any other basis.

APPLICATIONS ASSISTANCE: *Questions regarding the specifications, features, and use of any Acopian product should be directed to the Applications Engineering Department. A staff of power supply specialists will be pleased to assist you.*

ACOPIAN IS AN ISO 9001 CERTIFIED COMPANY