

WALL MOUNTING KITS ...\$10

These kits provide a way of mounting power supplies on a wall or panel when the other side of the mounting surface is inaccessible. Each kit consists of four aluminum brackets and four machine screws for fastening them to the power supply, effectively adding mounting flanges to the power supply.

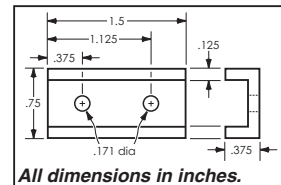
For 'Gold Box' and (modular) 'High Voltage' power supplies:

GB8 Mounting Kit (#8-32 mounting holes)

Can be used on these case sizes:

CM6, CM9, CM13, CH11, CH16, DG5, DG6, DG9, G3, G5, G5D, G6, G9, G13, GT5, GT6, GT9, GT13, H8, H11, H16, HD345, HD355, HA349, HA359, HT11, HT16, LM6A*, LM8A*, LM10A*, M6, M9, M13, RM6, RW6 TG5, TG6, TG9, TG13, TH11, WG7, WM6, WM9, Y3, Y5, Y6, YH11, YA

*For rear mounting brackets horizontally on **LM cases only**, use GBR Mounting Kit...\$15



For 'Narrow Profile' power supplies:

NP6 Mounting Kit (#6-32 mounting holes)

Can be used on these case sizes:

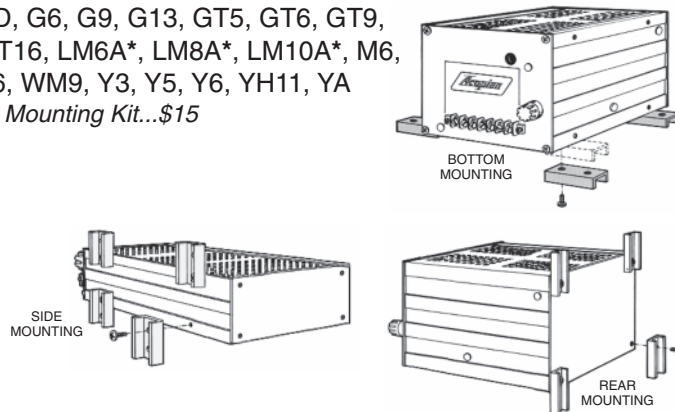
AMC, CN8T, DN6B, DN6A, DN8A, DN8, F6T, F8T, N8T, WL7, WL9, WN6A, WN6B, WN8, WN8A, WN8B, TN6T

NP6L Mounting Kit (#6-32 mounting holes)

Can be used on these case sizes:

CN8H, N8H, TN8H

Model NP6L consists of two brackets 1.5" long as shown above, and two 2.5" long brackets (to extend beyond heat sink).



DIN RAIL MOUNTING KITS ...\$15*

CH35DIN Mounting Kit (Horizontal mounting)

Can be used on these case sizes: RM6, RW6

GH35DIN Mounting Kit (Horizontal mounting)

Can be used on these case sizes:

CM6	DG5	G3	GT5	M6	TG5	Y3
CM9	DG6	G5	GT6	M9	TG6	Y5
CM13	DG9	G5D	GT9	M13	TG9	Y6
		G6	GT13		TG13	
		G9				
		G13				

GR35DIN Mounting Kit (Rear mounting)

Can be used on these case sizes:

CM6	DG5	G3	GT5	HD345	M6	RM6	TG5	Y3
CM9	DG6	G5	GT6	HD355	M9	RW6	TG6	Y5
	DG9	G5D	GT9				TG9	Y6
		G6						
		G9						

(GR35DIN can be used, but is not recommended on case sizes: G13, GT13, M13, TG13)

LR35DIN Mounting Kit* (Rear mounting)

LV35DIN Mounting Kit* (Vertical mounting)

LH35DIN Mounting Kit* (Horizontal mounting)

Can be used on these case sizes: LM6A, LM8A, LM10A

*All DIN Kits for LM cases \$20

NPH35DIN Mounting Kit (Horizontal mounting)

Can be used on these case sizes:

CN8H	DN6A	F6T	N8H	TN6T	WN6A
CN8T	DN6B	F8T	N8T	TN8H	WN6B
	DN8				WN8
	DN8A				WN8A
					WN8B

NPR35DIN Mounting Kit (Rear mounting)

Can be used on these case sizes:

CN8H	F6T	N8H	TN6T
CN8T	F8T	N8T	TN8H

NPV35DIN Mounting Kit (Vertical mounting)

Can be used on these case sizes:

CN8H	DN6A	F6T	N8H	TN6T	WN6A
CN8T	DN6B	F8T	N8T	TN8H	WN6B
	DN8				WN8
	DN8A				WN8A
					WN8B

WH35DIN Mounting Kit (Horizontal mounting)

Can be used on these case sizes: WM6, WM9

WL35DIN Mounting Kit (Vertical mounting)

WLV35DIN Mounting Kit (Horizontal mounting)

Can be used on these case sizes: WL7, WL9

