



UNDER/OVERVOLTAGE MONITORS

**ALL ACOPIAN
POWER SUPPLIES
MADE IN U.S.A.**

OPERATION

These models can be used to monitor only DC voltages.
SPDT relay contacts switch if the power supply's output deviates by:

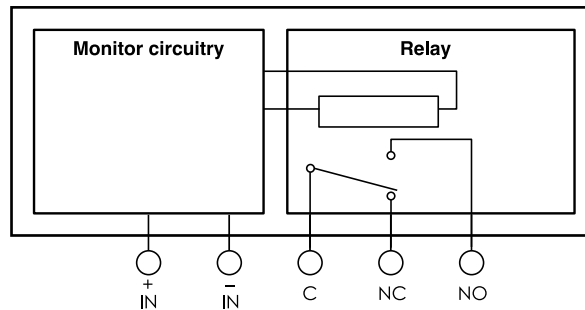
- 1.0 volt or more (for 5 volt outputs)
- 2.0 volts or more (for 6 to 48 volt outputs)
- 3.0 volts or more (for 49 to 125 volt outputs)

Relay contact ratings: 120 VAC, 8A / 60 Vdc, 1A. (To comply with SELV requirements, limit switched voltage to 60Vdc/42 VAC.)

CONNECTIONS

Make all connections before applying AC input power.

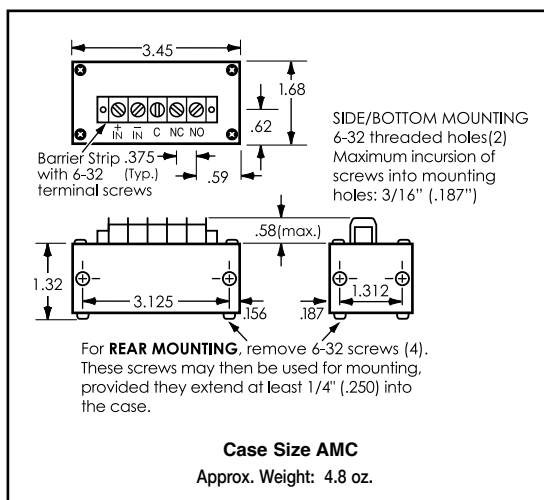
Non-energized or 'fault' state:



Enclosed UOV Monitor

INSTALLATION

Threaded holes on the bottom and right side surface may be used for mounting. An accessory Mounting Kit is available to enable mounting the Enclosed UOV Monitor when the opposite side of the mounting surface is inaccessible. DIN rail Mounting Kits are also available.



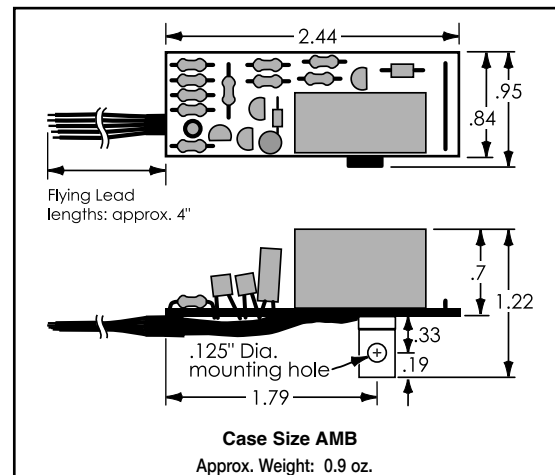
'Board with leads' UOV Monitor

INSTALLATION

An electrically isolated bracket with a .125" diameter mounting hole has been incorporated into the 'Board with leads' UOV Monitor to enable mounting in any orientation.



Red flying lead: Connects to '+ DC' being monitored.
Black flying lead: Connects to '- DC' being monitored.
White flying lead: Common (C) relay connection.
Green flying lead: Normally Closed (NC) relay connection.
Orange flying lead: Normally Open (NO) relay connection.



The complete Acopian catalog is available on the Internet at www.acopian.com

131 Loomis Street, Easton, PA 18045 • Phone: (610) 258-5441 • FAX: (610) 258-2842