



## UNREGULATED POWER SUPPLIES

### INSTALLATION AND OPERATION

**GOLD BOX MODELS:** Threaded holes on the bottom and one side surface (no side mounting holes on case size YH11) may be used for mounting. The supply may also be rear mounted (except for case size YA) using the same holes that attach the rear cover plate. An accessory Mounting Kit (model GB8) is available to enable mounting the power supply when the opposite side of the mounting surface is inaccessible.

**PLUG-IN MODELS:** Plugs into standard 8-pin octal socket (order accessory socket SL608). Four 6-32 mounting holes (on case sizes G and K) or four 10-32 mounting studs (on case sizes Q and P) are provided in the base for fastening the module when used in other than the upright position, or if extreme vibration will be encountered.

---

Even a relatively small amount of air flowing around and through a power supply will significantly reduce the rise in its temperature resulting from operation, and therefore the temperature of the critical components within it, improving both reliability and stability. Avoid blocking air flow through vented/perforated surfaces. If the perforated bottom of a supply is mounted to a solid surface, use spacers at least 3/16" thick between it and the surface to which it is fastened, to permit convection air flow, or punch ventilation holes in the mounting surface. Allow free air to circulate around heat sinks. Space at least one inch away from surrounding objects.

Make all connections before applying AC input power.

Two or more of the same model may be connected in parallel.

Two or more of the same or different models may be connected in series to obtain a higher voltage up to 1000 Vdc, provided that a reverse-biased diode is used across each output; however, the output current to be drawn cannot exceed the output current rating of the lowest rated supply used.

Frequent fuse failure is symptomatic of power supply overload, a short circuited output, or power supply failure. Do not overfuse; this can result in damage to the power supply.

If the AC input power contains large voltage spikes ('noise') induced by the switching of high currents, inductive loads, electro-mechanical components, etc., the input power leads to the supply should include some means of transient suppression. Otherwise, a portion of the noise may be coupled through the supply to the load. Also, the supply could be damaged. The means of suppression that is easiest to install is a 1 mfd. capacitor or a metal oxide surge suppressor (MOV) across the AC input terminals of the supply. In extremely severe cases, the use of RF chokes in series with each side of the line may also be required.

**ALL ACOPIAN  
POWER SUPPLIES  
MADE IN U.S.A.**

**WARRANTY:** Acopian power supplies are warranted to be free from defects in material and workmanship for a period of five years (encapsulated devices and fans, for one year) from date of original shipment. Acopian's obligation under this warranty is limited to repairing any power supply returned to the factory Service Department in Easton, PA and replacing any defective parts. Authorization must be obtained from Acopian before a power supply may be returned for repair. Transportation charges are to be paid by the purchaser. A reinspection and handling charge will be applied to returned units found to have no defects. If a failure has been caused by misuse, operation in excess of specifications, or modification by the customer, repairs will be billed at cost; in such cases, a cost estimate will be submitted before work is started.

Acopian reserves the right to make changes or improvements in its products without incurring any obligation to install the same on products previously manufactured.

*This warranty is in lieu of all other warranties, obligations, and liabilities, expressed or implied, and is the purchaser's exclusive remedy. Acopian makes no warranty, either express or implied, of merchantability, fitness for a particular purpose or otherwise. In no event shall Acopian be liable for incidental or consequential damages of any kind, including loss of business or profits, or any other losses incurred by the purchaser or any third party.*

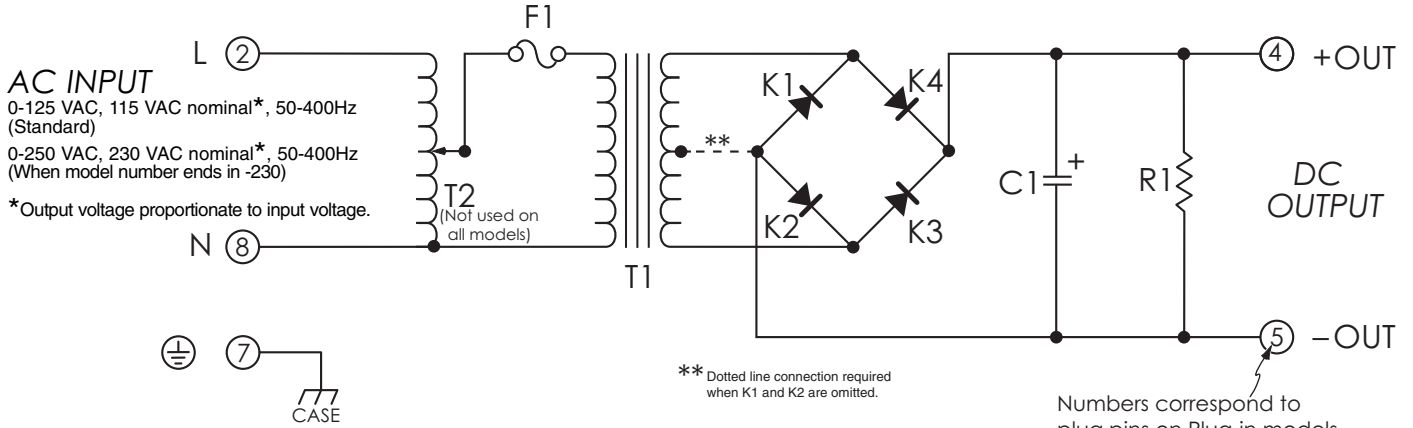
The validity, performance and construction of all terms and conditions and any sale made by Acopian shall be determined by the law of Pennsylvania, not including its law of conflict of laws.



The complete Acopian catalog is available on the Internet at <http://www.acopian.com>  
P.O. Box 638, Easton, PA 18044 • Phone: (610) 258-5441 • FAX: (610) 258-2842



# UNREGULATED POWER SUPPLIES

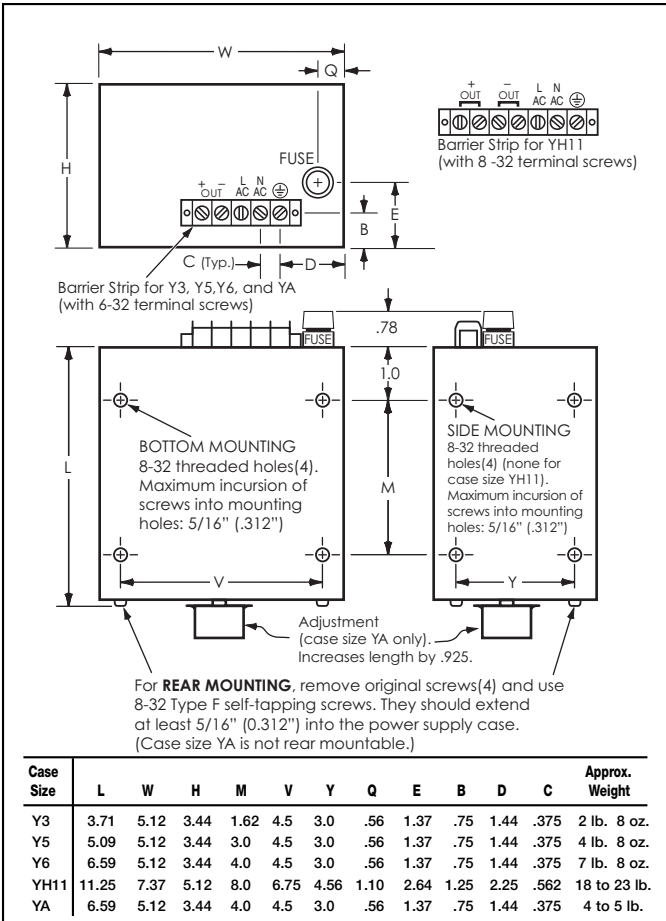


**AC INPUT**  
 0-125 VAC, 115 VAC nominal\*, 50-400Hz (Standard)  
 0-250 VAC, 230 VAC nominal\*, 50-400Hz (When model number ends in -230)  
 \*Output voltage proportionate to input voltage.

The MODEL NUMBER indicates any included options;  
 suffix F: fungus proofing  
 suffix M: terminal strip cover  
 suffix -230: 230v input

\*\* Dotted line connection required when K1 and K2 are omitted.  
 Numbers correspond to plug pins on Plug-in models.

## GOLD BOX MODELS:



## PLUG-IN MODELS:

